

// The Single-Shaft Shredder Series: WLK Jumbo / Super Jumbo

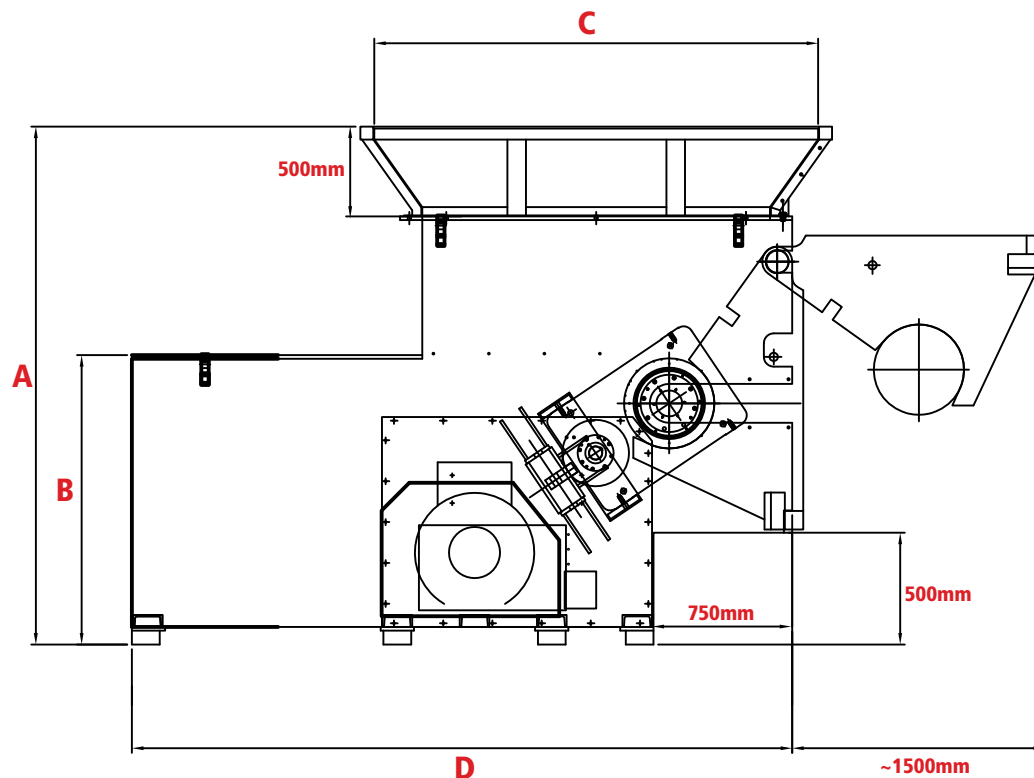


A Robust Shredder for Large Applications

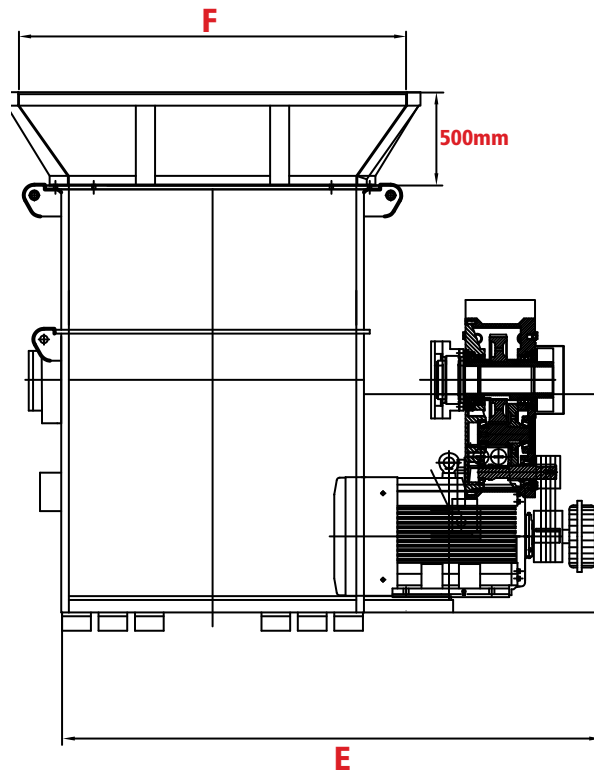
The WLK Jumbo / Super Jumbo shredders are designed to attack large volume, demanding applications. The Jumbo / Super Jumbo series has set the standard for features, ruggedness and functionality and is suitable for a wide range of applications.

- large pipes
- foils in rolls
- big bags
- plastic crates/bins
- car bumpers
- hard plastics
- carpet/textiles
- plastic film
- wood waste
- paper/cardboard
- purge
- electronic scrap

Technical Specifications



	WLK 12 Jumbo	WLK 15 Jumbo	WLK 18 Jumbo	WLK 20 Jumbo	WLK 22 Jumbo
Feed opening (in):	47.25 x 74	59 x 74	71 x 74	78.75 x 74	87 x 74
Feed opening (mm):	1200 x 1880	1500 x 1880	1800 x 1880	2000 x 1880	2200 x 1880
Hopper volume (m³)	3.6	4.5	5.4	6.0	6.6
Rotor diameter (in/mm):	19 / 482	19 / 482	19 / 482	19 / 482	19 / 482
Rotor width (in/mm):	47.25 / 1200	59 / 1500	71 / 1800	78.75 / 2000	87 / 2200
Number of rotor knives (at 40/60/80 mm):	96 / 36 / 25	123 / 44 / 30	147 / 52 / 36	165 / 58 / 42	180 / 64 / 46
Power (hp):	100 / 120 / 150	120 / 150 / 180	120 / 150 / 180	150 / 180 / HYD	150 / 180 / HYD
Weight (lbs/kg):	~22,000 / ~10,000	~27,500 / ~12,500	~33,000 / ~15,000	~36,500 / ~16,500	~40,000 / ~18,000
A:	106.3 in 2700 mm	106.3 in 2700 mm	106.3 in 2700 mm	106.3 in 2700 mm	106.3 in 2700 mm
B:	57.3 in 1455 mm	57.3 in 1455 mm	57.3 in 1455 mm	57.3 in 1455 mm	57.3 in 1455 mm
C (in/mm):	94.5 / 2400	94.5 / 2400	94.5 / 2400	94.5 / 2400	94.5 / 2400
D (in/mm):	140.2 / 3560	140.2 / 3560	140.2 / 3560	140.2 / 3560	140.2 / 3560
E (in/mm):	95.1 / 2415	109.3 / 2775	121.1 / 3075	129 / 3275	136.8 / 3475
F (in/mm):	67.75 / 1720	79.5 / 2020	91.35 / 2320	99.2 / 2520	107.1 / 2720



WLK 25 Jumbo	WLK 15 Super Jumbo	WLK 18 Super Jumbo	WLK 20 Super Jumbo	WLK 22 Super Jumbo	WLK 25 Super Jumbo	WLK 30 Super Jumbo
98.5 x 74	59 x 76	71 x 76	78.75 x 76	87 x 76	98.5 x 76	118.25 x 76
2500 x 1880	1500 x 1930	1800 x 1930	2000 x 1930	2200 x 1930	2500 x 1930	3000 x 1930
7.5	4.8	5.8	6.4	7	8	9.6
19 / 482	23.6 / 600	23.6 / 600	23.6 / 600	23.6 / 600	23.6 / 600	23.6 / 600
98.5 / 2500	59 / 1500	71 / 1800	78.75 / 2000	87 / 2200	98.5 / 2500	118.25 / 3000
207 / 74 / 52	123 / 66 / 46	147 / 78 / 55	165 / 87 / 62	180 / 96 / 68	207 / 111 / 77	249 / 135 / 93
180 / HYD	120 / 150 / 180	150 / 180 / HYD	180 / HYD	180 / HYD	HYD	HYD
~45,000 / ~20,500	~31,500 / ~14,250	~37,500 / ~17,000	~42,000 / ~19,000	~46,500 / ~21,000	~53,000 / ~24,000	~63,000 / ~28,500
106.3 in 2700 mm	111 / 119 in 2820 / 3020 mm	111 / 119 in 2820 / 3020 mm	111 / 119 in 2820 / 3020 mm	111 / 119 in 2820 / 3020 mm	111 / 119 in 2820 / 3020 mm	111 / 119 in 2820 / 3020 mm
57.3 in 1455 mm	61.6 / 69.5 in 1565 / 1765 mm	61.6 / 69.5 in 1565 / 1765 mm	61.6 / 69.5 in 1565 / 1765 mm	61.6 / 69.5 in 1565 / 1765 mm	61.6 / 69.5 in 1565 / 1765 mm	61.6 / 69.5 in 1565 / 1765 mm
94.5 / 2400	97.25 / 2470	97.25 / 2470	97.25 / 2470	97.25 / 2470	97.25 / 2470	97.25 / 2470
140.2 / 3560	141.75 / 3600	141.75 / 3600	141.75 / 3600	141.75 / 3600	141.75 / 3600	141.75 / 3600
148.6 / 3775	109.6 / 2785	121.5 / 3085	129.3 / 3285	137.2 / 3485	152.6 / 3785	168.7 / 4285
118.9 / 3020	80.3 / 2040	92.13 / 2340	100 / 2540	107.9 / 2740	119.7 / 3040	139.4 / 3540

These measurements are to be used as a guide only and are subject to slight changes.

The throughput rate depends on material and screen size. Special configurations are available. Call for details.

Machine Features



CONTROL PANEL

- Option touch-screen display
- Optional frequency drive



OFFSET BEARING

- Dustproof
- Sturdy design
- Maintenance-friendly



SEGMENTED FLOOR

- Precise guidance of ram
- Ideal for very thin material



RAM SHOCK VALVE

- Absorbs ram shocks
- Protects cylinders



ROTOR / COUNTER KNIVES

- Wide selection of rotor and counter knives that are appropriate for various applications



WEIMA GEARBOX

- In-house development for maximum toughness
- Torque control and vibration absorber



HYDRAULIC DRIVE

- Robust drive
- Extremely high torque at low power
- Control pump for variable speed
- Relationship with world-renowned hydraulics manufacturer



LIFT-UP SCREEN BASKET

- Pivoted hydraulically
- Provides easy maintenance access
- Simplifies the process of changing the screen basket

Benefits and Optional Add-on Features

BENEFITS

- High throughput
- Suitable for a wide range of applications
- Very cost-efficient to operate
- Brand-name components
- Precision cutting
- Manufactured according to high standards
- Optimal protection against foreign material
- Low dust emissions and noise levels
- Made in Germany

STANDARD FEATURES

- Retractable counter knives
- Hydraulically adjustable lift-up screen
- Turbo hydraulic with hydraulic cooling
- Segmented machine floor
- V-Rotor with Super-Cut knives

OPTIONAL FEATURES

- Cooling system for the gearbox
- Horizontal and vertical ram comb plate
- Pipe spacer
- Rotor cooling system
- Press down device
- Hopper extension



This model is intended to give a general concept of scale only.
Please request a specification sheet for actual measurements of each model.